

## 10 Replacing the routine maintenance parts

Daily maintenance or replacement of parts at an early stage can prevent the machine from being damaged, and keeps the machine at the optimum condition. Replace parts according to the following directions in order to maintain your machine in optimum operating condition.



Always unplug the power plug before replacing parts. There is a danger of electrocution if it has been done without unplugging.



Follow the directions on this manual when replacing parts. Replacing parts in the way ignoring this manual could cause malfunction of the machine as well as electrocution and fire.



Always use only specified parts sold through Fuji Impulse. Unspecified parts may cause malfunction of the machine.

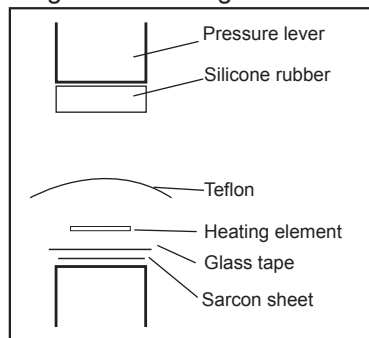


Always unplug the machine before maintenance.

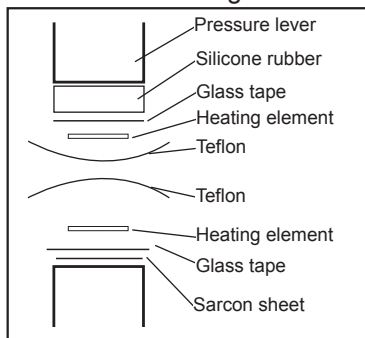
### Structure of the sealing section

The sealing section consists of the parts as in the illustration below. When replacing parts, be careful to arrange the parts exactly in the same order.

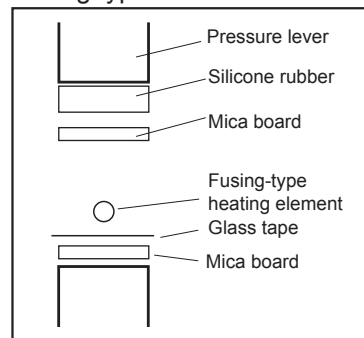
#### Single side heating



#### Double side heating



#### Fusing type



### Preparation

#### ● Before replacing parts

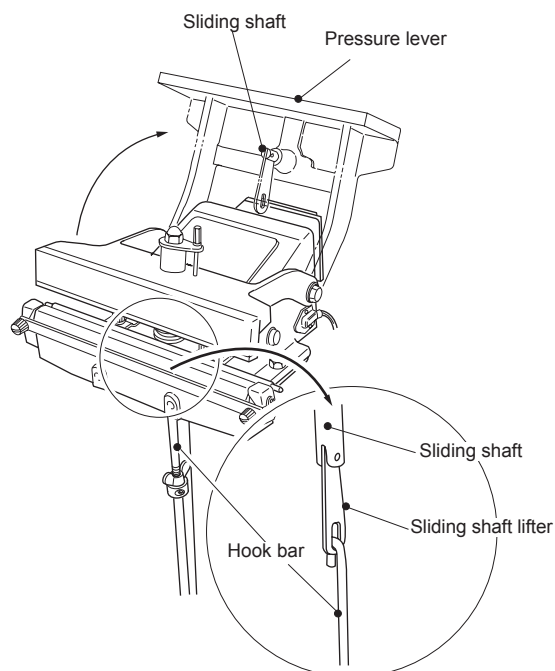
When replacing parts, lift up the pressure lever for easier replacement.

#### How to lift up the pressure lever

Push down the pressure lever to remove the hook bar from the sliding shaft lifter. Now you can lift up the pressure lever.



When the pressure lever is lifted up, you can activate the microswitch by clicking it with a thin stick, etc. Do not activate the microswitch as it will start heating and may result in fire if the plug is not unplugged.



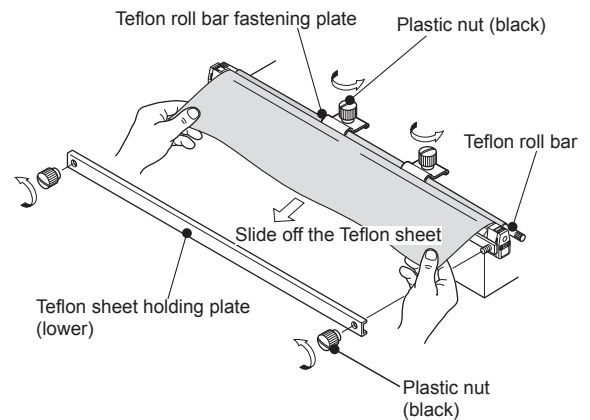
## 10-1 Sliding the lower Teflon sheet (For all models.)

Essential tools: Scissors, a Philips screwdriver

Replace when: The Teflon, burns, or when the seal becomes messy, etc.

Teflon is either sold individually or included in the maintenance parts kit. It is rolled to the Teflon roll bar about 25 - 30cm as an extra.

- 1 Loosen two black plastic nuts at the front side of the machine to remove the lower Teflon sheet holding plate.
- 2 Loosen two black plastic nuts that fix the Teflon roll bar so it can be moved, and slide the Teflon toward you.
- 3 Cut the damaged part of the Teflon with scissors.
- 4 Insert the edge of the Teflon between the lower Teflon holding plate and Teflon sheet holder support. And then fix the lower Teflon sheet holding plate with black plastic nuts.
- 5 Roll up the Teflon to the Teflon roll bar so it does not wrinkle.
- 6 Tighten the black plastic nuts to secure the Teflon roll bar with Teflon roll bar fastening plates.



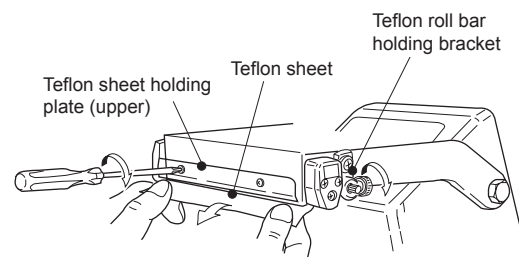
## 10-2 Sliding the upper Teflon sheet (For Fi/FiK-200, Fi/FiK-300 double side heating models)

Essential tools: Scissors, a Philips screwdriver

Replace when: The Teflon, burns, or when the seal becomes messy, etc.

Teflon is either sold individually or included in the maintenance parts kit. It is rolled to the Teflon roll bar about 25 - 30cm as an extra.

- 1 Loosen the screws that fix the upper Teflon sheet holding plate and slid off the edge of the Teflon.
- 2 Loosen the screws of the Teflon sheet holding brackets so the Teflon roll bar can be moved. Slide the Teflon toward you.
- 3 Cut the damaged part of the Teflon with scissors.
- 4 Insert the edge of the Teflon between the upper Teflon sheet holding plate and pressure lever and tighten the screw loosened at procedure 1 to fix the Teflon edge.
- 5 Roll up the Teflon to the Teflon roll bar so it does not wrinkle.
- 6 Tighten the screws of the Teflon sheet holding brackets to secure the Teflon roll bar.



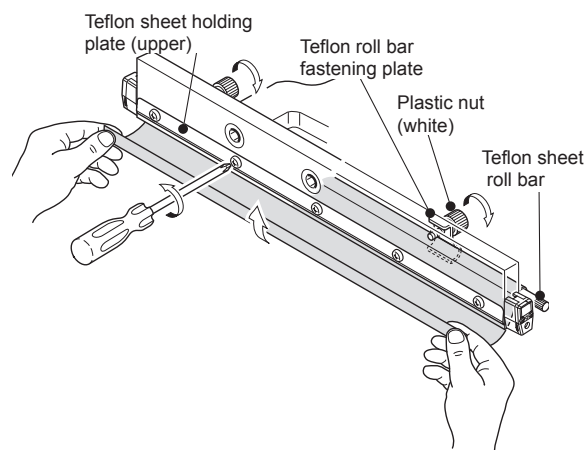
### 10-3 Sliding the upper Teflon sheet (For Fi/FiK-450, Fi/FiK-600 double side heating models)

Essential tools: Scissors, a Philips screwdriver

Replace when: The Teflon sheet burns, or when the seal becomes messy, etc.

Teflon sheet is either sold individually or included in the maintenance parts kit.

- 1 Loosen the white plastic nuts at the backside of pressure lever so the Teflon sheet roll bar can be moved.
- 2 Loosen the screws that fixes the upper Teflon sheet holding plate and slide off the Teflon to the direction of allow.
- 3 Cut the damaged part of the Teflon sheet with scissors.
- 4 Insert the edge of Teflon sheet between the upper Teflon sheet holding plate and pressure lever, and tighten the screws to fix the Teflon sheet holding plate.
- 5 Roll up the Teflon sheet to the roll bar so it does not wrinkled.
- 6 Tighten the white plastic nuts to secure the Teflon sheet roll bar with fastening plates.



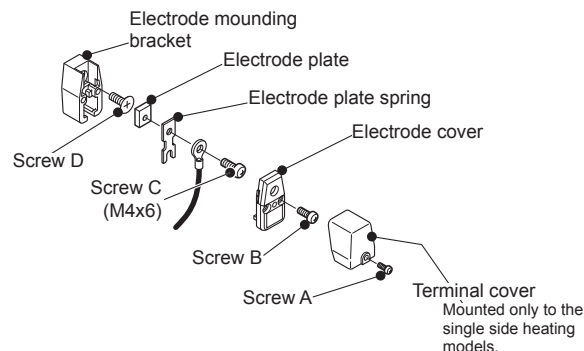
### 10-4 Replacing the heating element

Electrodes that mount the heating element consist of parts as in the right illustration.

Essential tools: A Philips screwdriver

Replace when: The heating element breaks, unevenness is generated, or when the seal becomes messy.

The heating element is either sold individually or included in the maintenance parts kit.



**Warning** If you loose the screw C, do not substitute ones longer than the screw C (M4x6) as there is a danger of short circuit by the longer screw touching screw D.



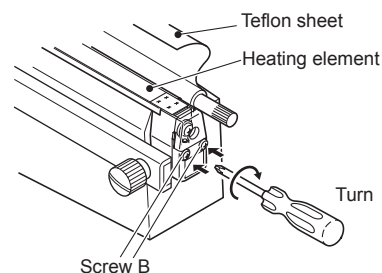
**Warning** When replacing the heating element, replace the glass tape and Sarcon sheet as well if they are appear to be damaged. If they are damaged and cannot properly insulate the heating element from the body frame, the short circuit may result.



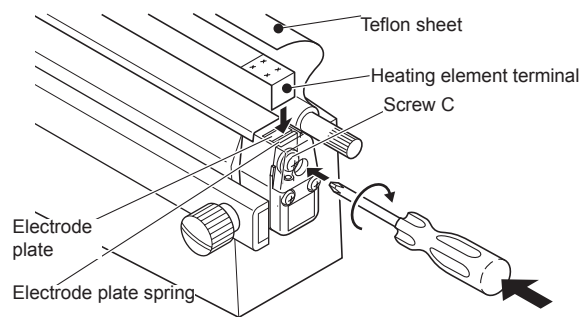
**TIPS** The heating element can be replaced without removing the electrode cover so you will not loose the cover or screw.

● How to replace lower heating element

- 1 Remove the Teflon sheet. (Refer to “10-1 Sliding the lower Teflon sheet.”)
- 2 Loosen the screw A of both electrodes with a Philips screwdriver, and remove the terminal covers. (The illustration on the right describes the electrode without the terminal cover.)
- 3 Loosen screw B of both electrodes to loosen the tension of the heating element. (It is not necessary to remove the electrode covers.)
- 4 Insert a Philips screwdriver into the hole of the electrode cover and loosen screw C. The heating element can be removed.
- 5 When mounting the new heating element, insert each terminal between the electrode plate and electrode plate spring. While pushing down the terminal with your fingers so it stays in place, tighten the screw C with a Philips screwdriver.
- 6 Tighten the screw B loosened at the procedure 3 so the heating element is stretched tight. (When the screw B is not tightened enough, the heating element will not be stretched tight enough, which may result in damaging the heating element.)
- 7 Fix the terminal covers to the electrodes with screw A.



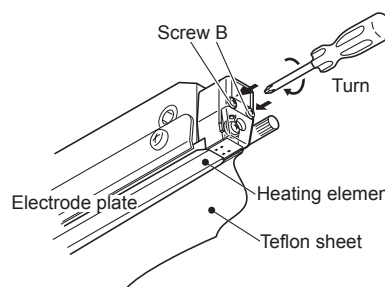
Without loosening the screw B, the heating element will be kept stretched tight. Thus the heating element terminal cannot be inserted between the electrode plate and plate spring.



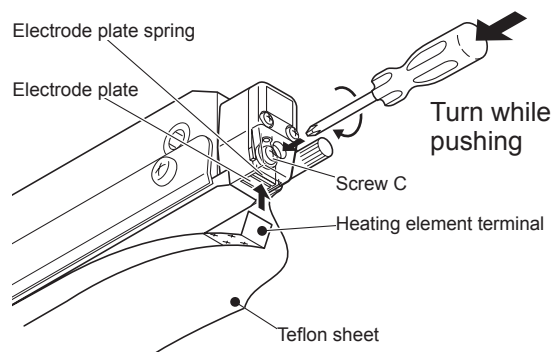
Turn while pushing

● How to replace upper heating element

- 1 Remove the Teflon sheet. (Refer to “10-2 Sliding the upper Teflon sheet.”)
- 2 Loosen the screw B of both electrodes to loosen the tension of the heating element. (It is not necessary to remove the electrode covers.)
- 3 Insert a Philips screwdriver into the hole of the electrode cover and loosen screw C. The heating element can be removed.
- 4 When mounting a new heating element, insert each terminal between the electrode plate and electrode plate spring. While pushing down the terminal with your fingers so it stays in place, tighten screw C with a Philips screwdriver.
- 5 Tighten the screw B loosened at the procedure 2 so the heating element is stretched tight. (When the screw B is not tightened enough, the heating element will not be stretched tight enough, which may result in damaging the heating element.)



Without loosening the screw B, the heating element will be kept stretched tight. Thus the heating element terminal cannot be inserted between the electrode plate and plate spring.



Turn while pushing

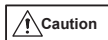
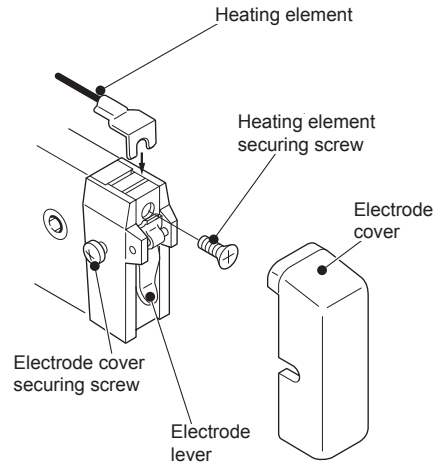
- How to replace fusing type heating element  
(For Fi, FiK-600 fusing types)

Essential tools: A Philips screwdriver

Replace when: The heating element breaks, unevenness is generated, or it does not cut the film well.

The fusing type heating element is sold individually.

- 1 Using a Philips screwdriver, loosen the screw (front) on the side of the electrode cover to remove the electrode cover.
- 2 Lift the electrode lever upward to loosen the tension of the heating element.
- 3 Loosen the screw that secures the heating element with a Philips screwdriver.
- 4 With the electrode lever still lifted upward, insert the heating element into the electrode groove. Make sure that the heating element stays in place with the electrode as you securely tighten the screw to keep the heating element in place.
- 5 After securely fixing the heating element to the electrodes, return the electrode lever to the initial position to stretch the heating element tight.
- 6 Reattach the electrode covers removed at procedure 1.



For safety, always attach the electrode cover after replacing the heating element.

## 10-5 Replacing the glass tape and Sarcon sheet

Essential tools: Scissors, A Philips screwdriver

Replace when: The heating element breaks often, the seal becomes messy, etc.

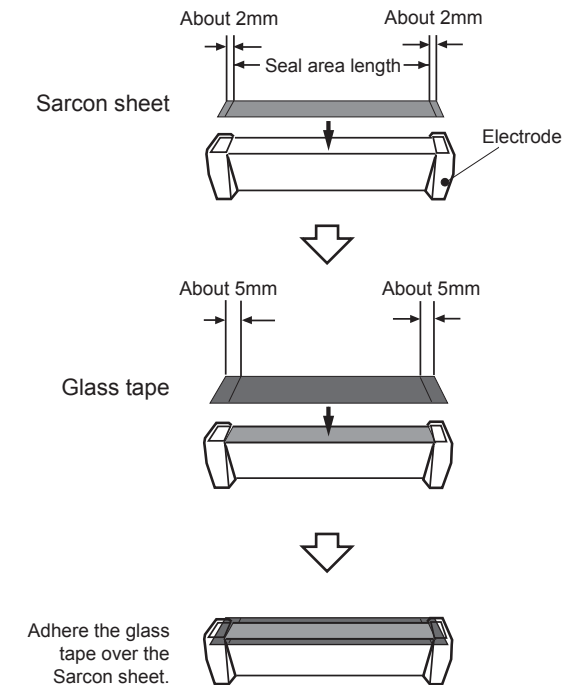
The glass tape and Sarcon sheet are either sold individually or included in the maintenance parts kit.

- 1 Carefully read the respective replacement instructions on the Teflon sheet and heating element and remove all of them.
- 2 Completely remove the glass tape and Sarcon sheet.

**Attention!** Applying the Sarcon sheet and glass tape to a surface with adhesive residues will negatively affect the sealing surface.

- 3 Cut the new Sarcon sheet 2mm longer than the seal area for left and right sides and adhere it to the lever.
- 4 Adhere the glass tape over the Sarcon sheet so it covers the electrode about 5mm.

**Attention!** If the adhesive of the Sarcon sheet is weak when replacing the glass tape, please replace the Sarcon sheet as well.



## 10-6 Replacing the silicone rubber

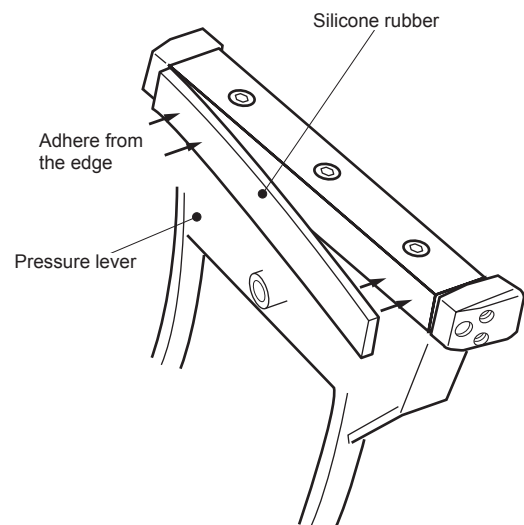
Essential tools: Industrial-purpose alcohol (Ethanol)

Replace when: The seal becomes messy, etc.

The silicone rubber is either sold individually or included in the maintenance parts kit.

- 1 Remove the damaged (old) silicone rubber.
- 2 Using an industrial purpose alcohol, etc., completely remove the adhesive residues remaining on the metal portion of the pressure lever.
- 3 Adhere the new silicone rubber starting from the edge.


**Attention!** Adhere the silicone rubber carefully as it cannot be reapplied.




## 10-7 Replacing the microswitch


Essential tools: A Philips screwdriver

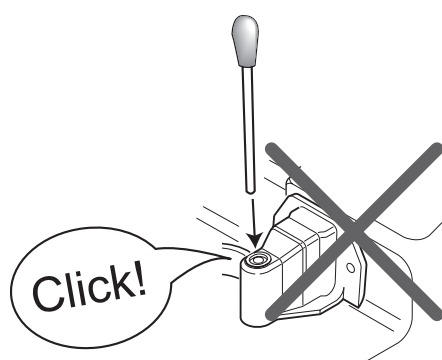
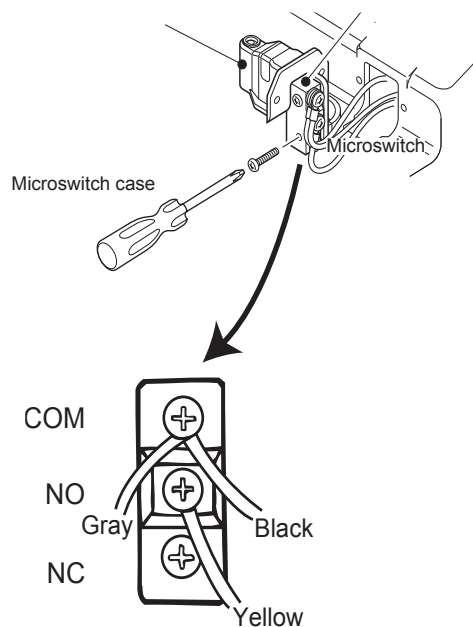
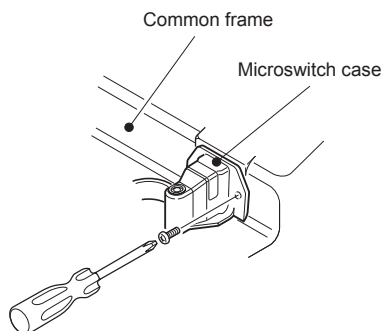
The microswitch is sold individually.

 **Warning** Always unplug the power cord from the outlet when replacing the microswitch.

- 1 Referring to “10 Replacing the routine maintenance parts >>> Preparation,” lift up the pressure lever.
- 2 Loosen the screws that fix the microswitch case to the common frame, and remove the microswitch case.
- 3 Next, loosen the screws which hold the microswitch in the microswitch case, and remove the microswitch from the case.
- 4 Loosen the screws of microswitch to remove all of the wiring.
- 5 When reattaching the microswitch, wire properly referring to “15 Electric diagram.” If the wiring is not correct, the timer may be damaged.

 **Warning** If the wiring of the microswitch is not correct, the timer may be damaged. Regarding the triac connection, the label is adhered to the timer.

 **Warning** If you activate the microswitch by pushing it with a thin object, it may bring the heat to the heating element and there is a danger of burning or fire.

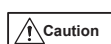


## 11 Adjusting each parts

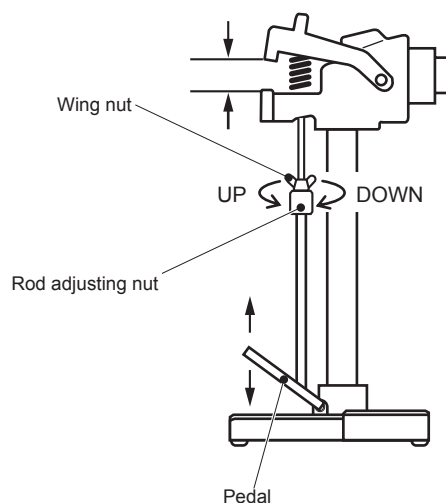
### 11-1 Adjusting the height of foot pedal

Adjust the pedal height (angle) by turning the rod adjusting nut.

- 1 Loosen the wing nut on the rod adjusting nut.
- 2 The pedal will go down when the rod adjusting nut is tuned counterclockwise.
- 3 The pedal will rise when the rod adjusting nut is turned clockwise.
- 4 After finishing the adjustment, tighten the wing nut to fix the rod adjusting nut.

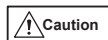


If the rod adjusting nut is turned too much, the microswitch will not be activated or the sealer may fall when depressing the pedal. Please do not turn the rod adjusting nut too much.



### 11-2 Adjust the head angle of FiK series

- 1 Remove the rod lower edge from the pedal.
- 2 Loosen the bolts A and B in the right illustration with the attached spanner.



When the bolts A and B are loosened to the full, the sealer head descends abruptly. Please be careful as it will be extremely dangerous.

- 3 Now you can move the sealer head. Fix it at the optimum angle by tightening the bolts A and B.
- 4 Loosen the wing nut, and adjust the length of the hook bar by turning the rod adjusting nut.
- 5 After finishing the adjustment, make sure to tighten the wing nut to secure the rod adjusting nut.
- 6 Insert the lower edge of the rod to the groove of the pedal. Now the setting is complete.

