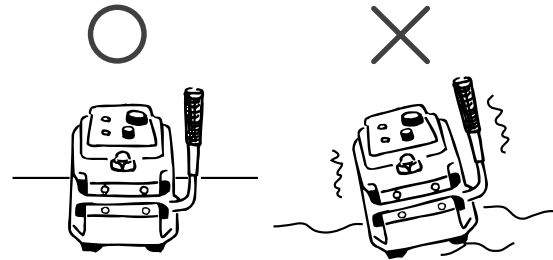


## 8 Proper use of the sealer

Use only as described in this manual. There is a risk of danger and malfunctions may result if the machine is used not in accordance with this manual.

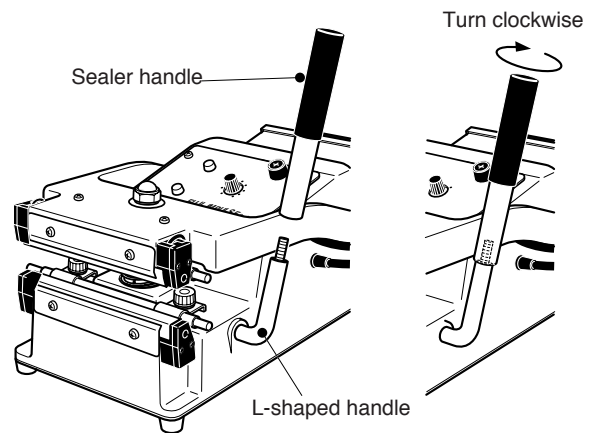
### 8-1 Securing the machine

Place the machine on a flat, horizontal working table.  
Do not use the machine in a location on the unstable place where the machine can fall.



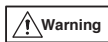
### 8-2 Attaching the sealer handle

Attach sealer handle by turning sealer handle clockwise onto the exposed screw of the L-shap handle.



### 8-3 Plugging in the electrical power

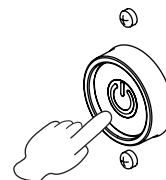
The power cord is located on the right side of the machine, when facing toward it. Refer to the label attached your machine to determine the proper voltage and electrical power. Make sure the electrical outlet has adequate current carrying capacity. Insert the electric power plug fully into the wall outlet.



There is a danger of fire if the electrical power source does not meet proper specifications.

### 8-4 Power switch ON

Press the power switch on the side of the machine to turn ON the power switch. The power lamp will turn ON.



## 8-5 Setting the sealing condition with the timer

Set the heating time with the timer. Setting will vary according to the type of bag (film) being used and thickness of the bag. Adjust accordingly.

### Setting the heating time

Set by turning the center dial of the timer.

(0.1 - 1.6 seconds range)

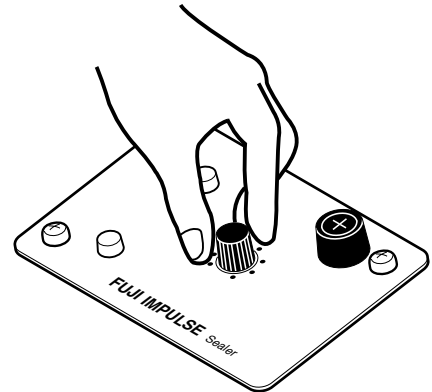
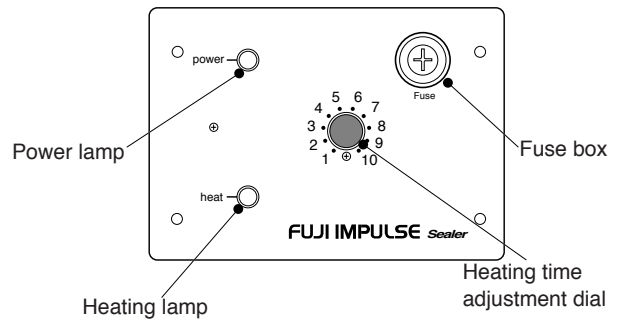
Heating time will vary according to the type of film (bag) being used.

Set sealer so that a seal is completed in the least amount of heating time.

Productivity will go up and unnecessary wear of parts will be kept at a minimum.

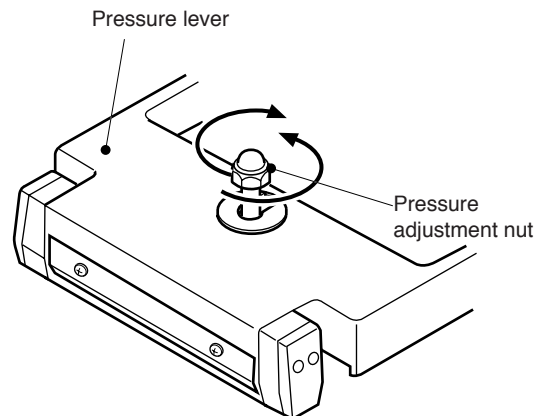


If you do not allow for sufficient cooling time, as explained at "8-8 Pull sealer handle towards you," and continuously operate the machine, there is a danger of fire.



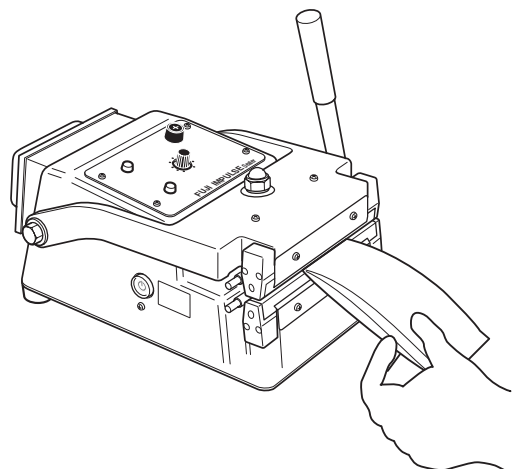
## 8-6 Adjusting the sealing pressure

When shipped, the machine is set to accommodate a standard bag. As necessary, especially when sealing a thick or thin bag, adjust sealing pressure according to "10 Adjusting the sealing pressure".



## 8-7 Setting the bag in the sealing area

Straighten out bag as much as possible and place bag (film) in sealing area.

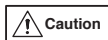


## 8-8 Pull sealer handle towards you

Cooling time is important when using an impulse sealer. After the film is heated, the film must cool with the frame and pressure lever in the seal locked position.

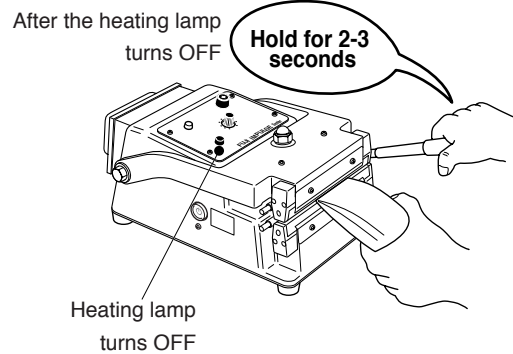
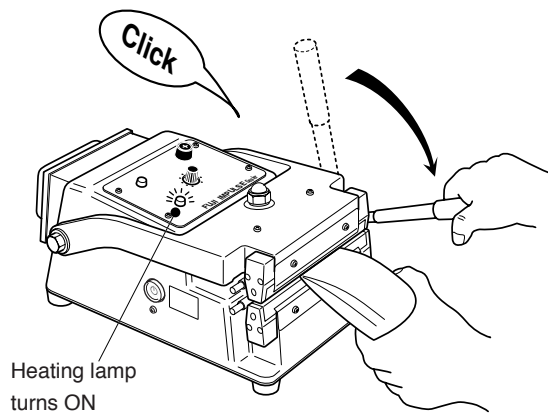
After the heating lamp turns off, let the bag cool in this position for 2-3 seconds.

- 1 Pull sealer handle towards you until you hear the micro-switch "click". The heating lamp will light and heating will begin.
- 2 The heating lamp will turn OFF after heating has completed.
- 3 After the heating lamp turns OFF, wait 2-3 seconds (Ideally, cooling time should be 1.5 - 2 times the heating time).



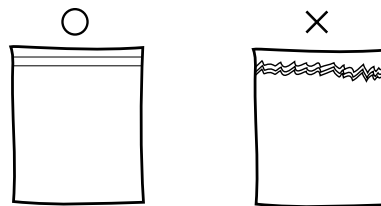
Parts will wear faster and seal will be inferior if sufficient cooling time is not allotted. Allow ample cooling time, especially when seeking a tight seal.

Begin operation after finding the best sealing condition.



## 8-9 The finished seal

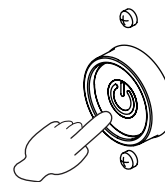
After the heating and cooling cycle has ended, raise the pressure lever and sealing is complete. If a smooth seal is not achieved, adjust the heating time or sealing pressure.



## 8-10 Power switch OFF

After use, always push the power switch to turn OFF the power.

If not using machine for a prolonged period of time, unplug power plug from power source.



## 8-11 Inspection after operation

After use, clean the parts. Inspect parts of Teflon and heater to make sure that no damage has occurred. If parts appear damaged, replace according to operating instructions.